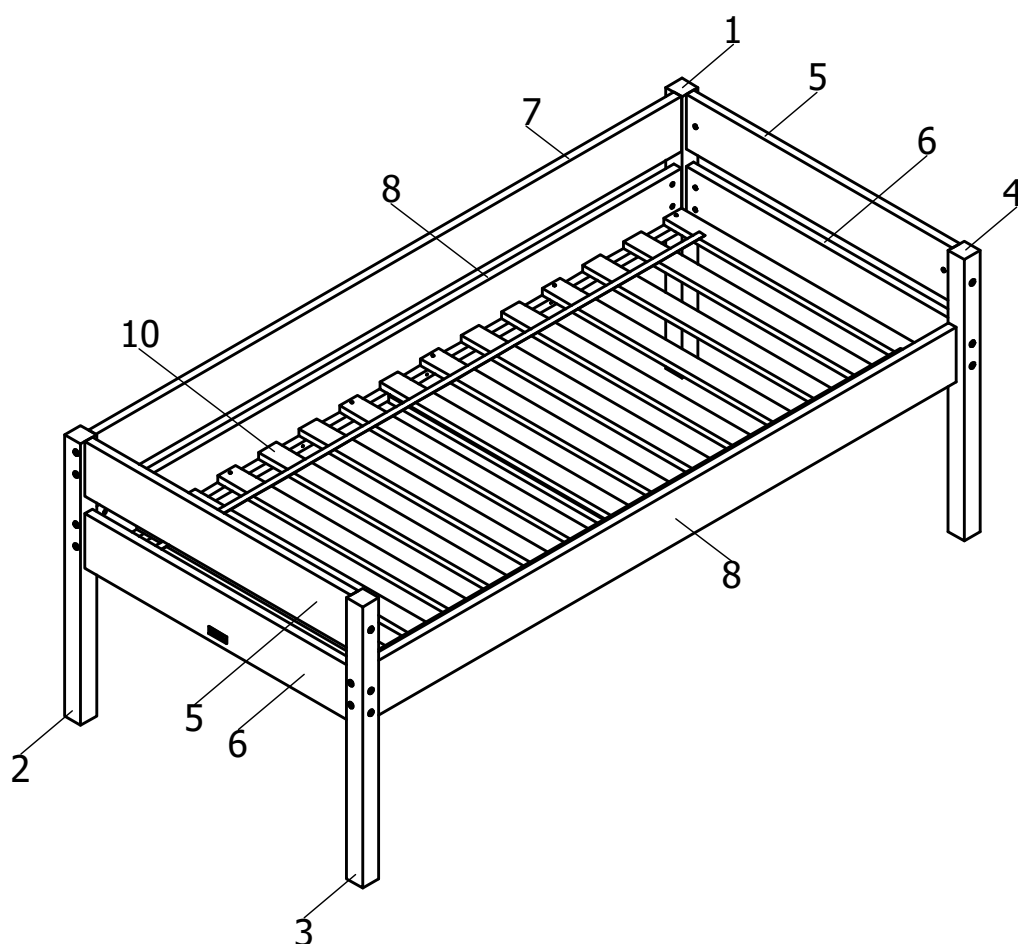


bopita®

ASSEMBLY INSTRUCTION
MONTAGE HANDLEIDING
MONTAGE ANLEITUNG
NOTICE DE MONTAGE
MANUAL DE MONTAJE

UK
NL
D
F
ESP

MODEL : LUCAS
TYPE : COMPACTBED 90X200
COLOUR : WHITE/NATURAL
ART.CODE : 207232.03





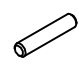



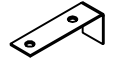

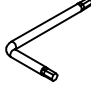
Distributor:

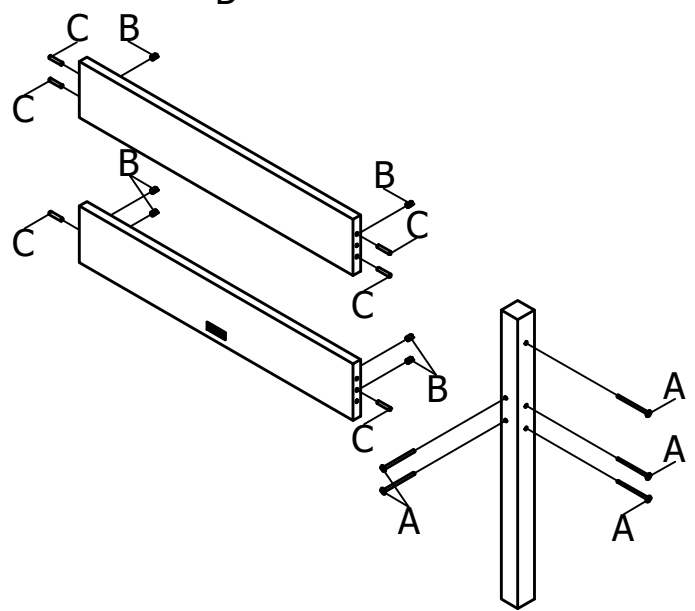
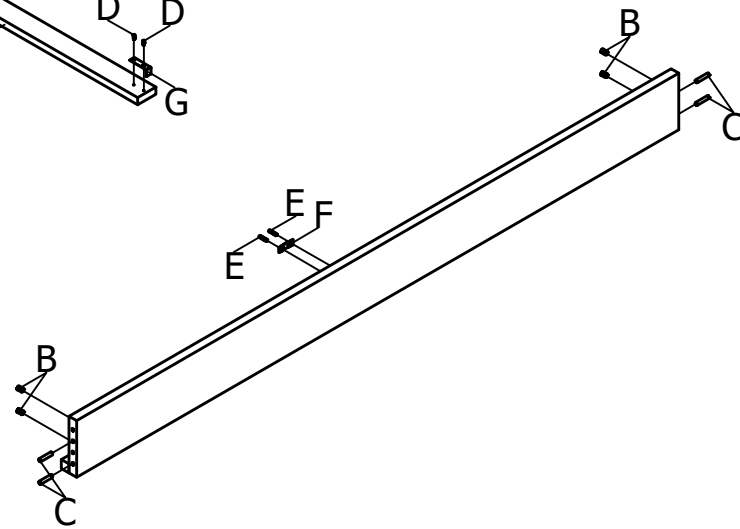
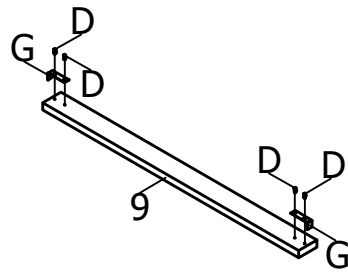
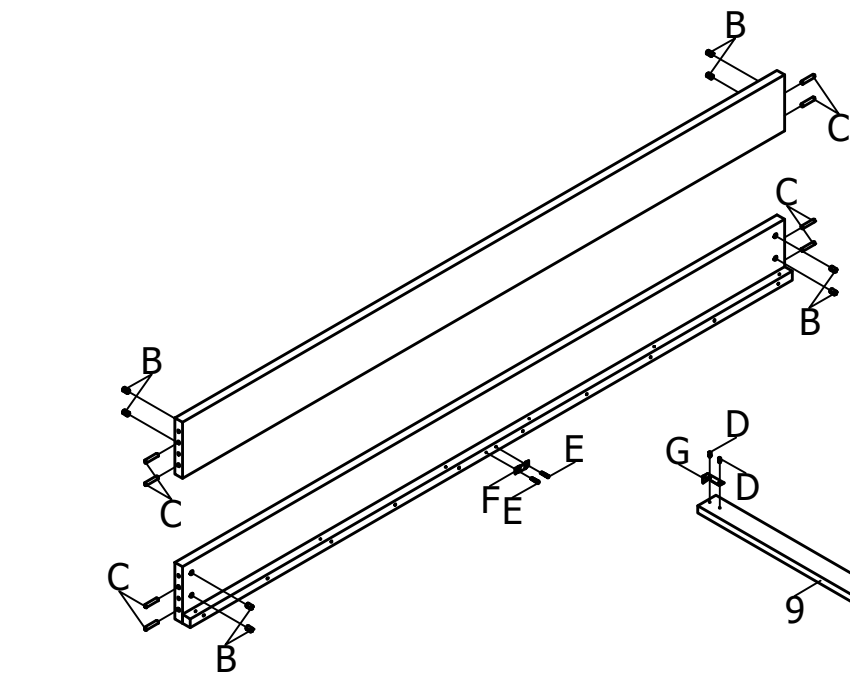
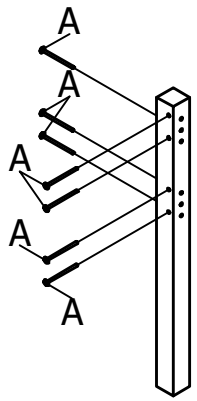
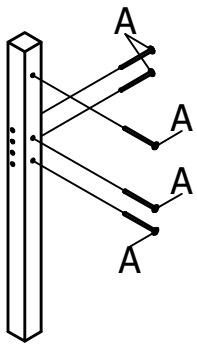
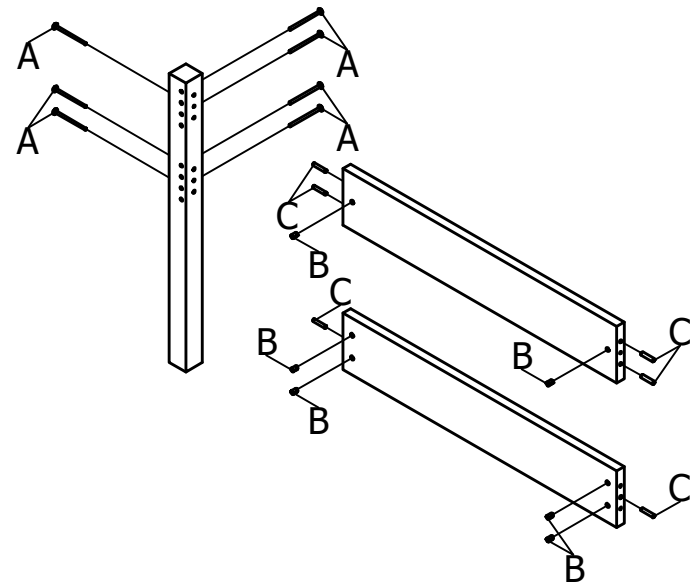
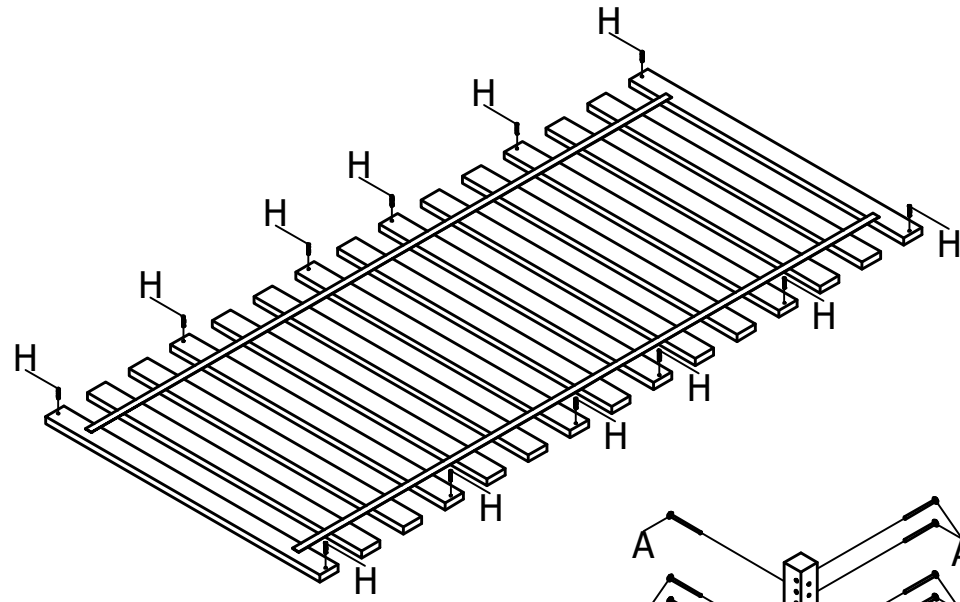
BOPITA
Energieweg 1
6662 NS Elst
The Netherlands

www.bopita.com

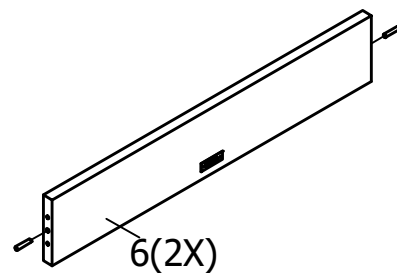
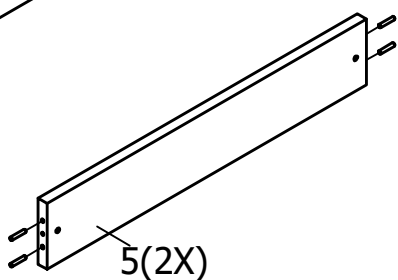
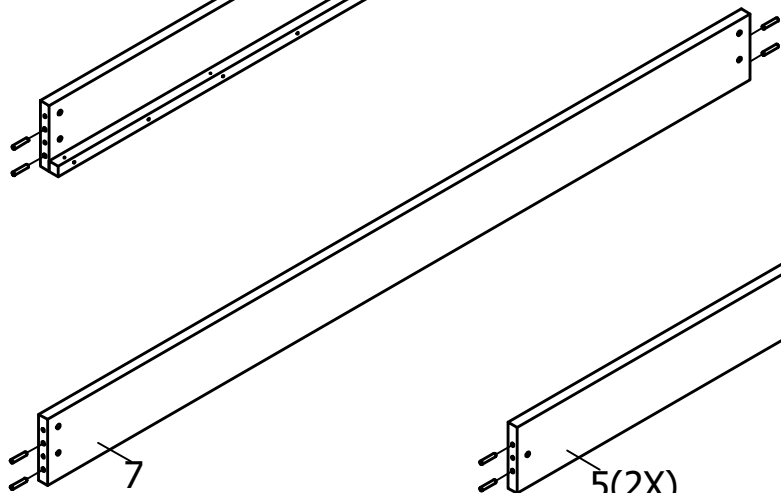
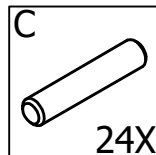
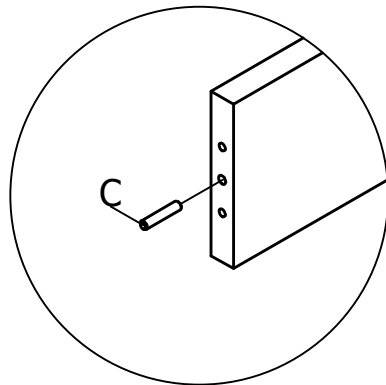
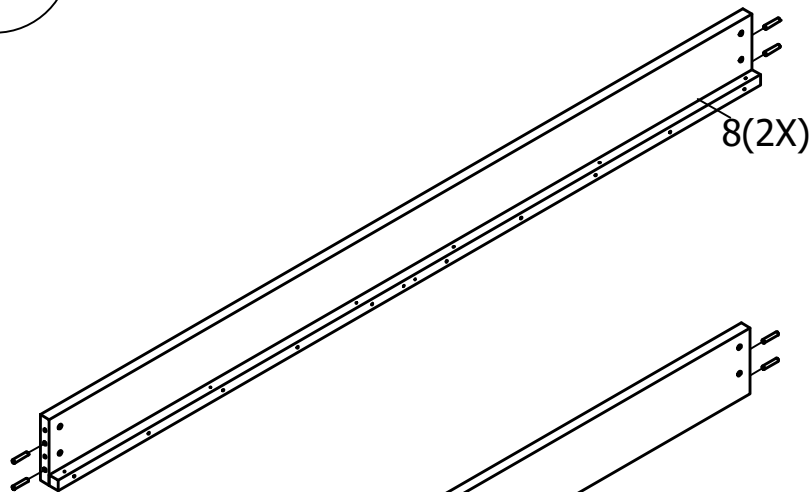


13.03.2023.

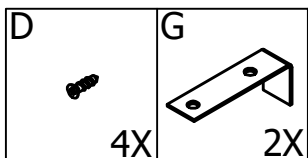
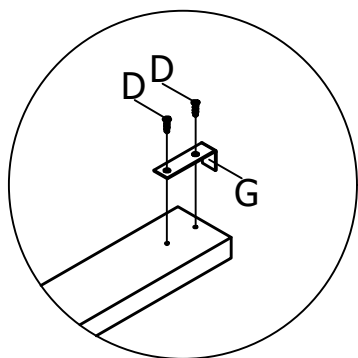
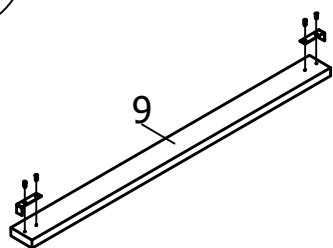
A		B		C		D		E	
M6X100	24X	M6	24X	Ø8X40	24X	3.5X16	4X	3.5X25	4X
F		G		H		I			
	2X		2X	3.5X35	12X	SW4	1X		



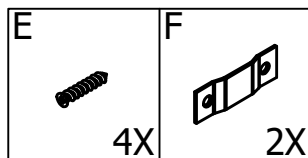
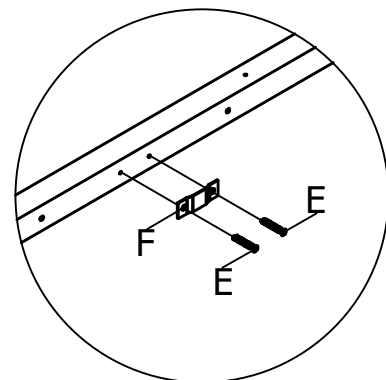
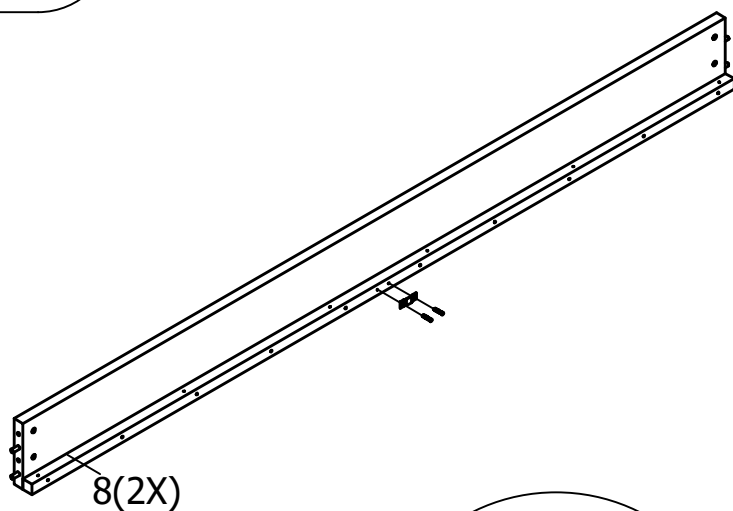
1



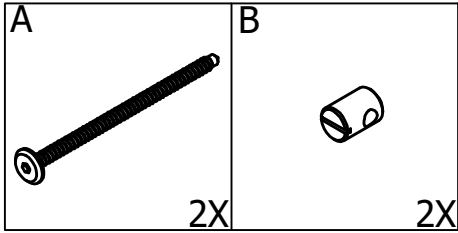
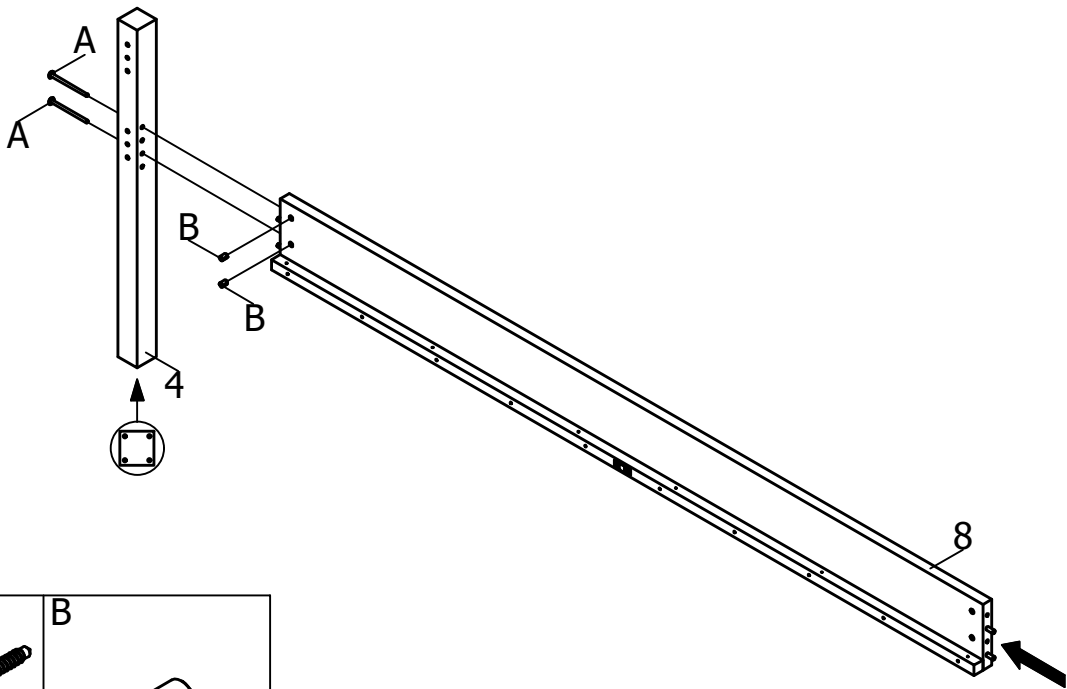
2



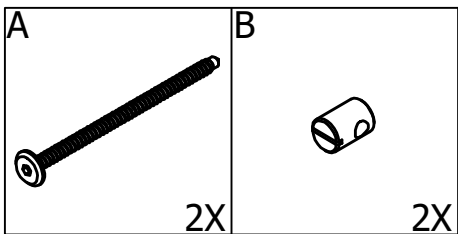
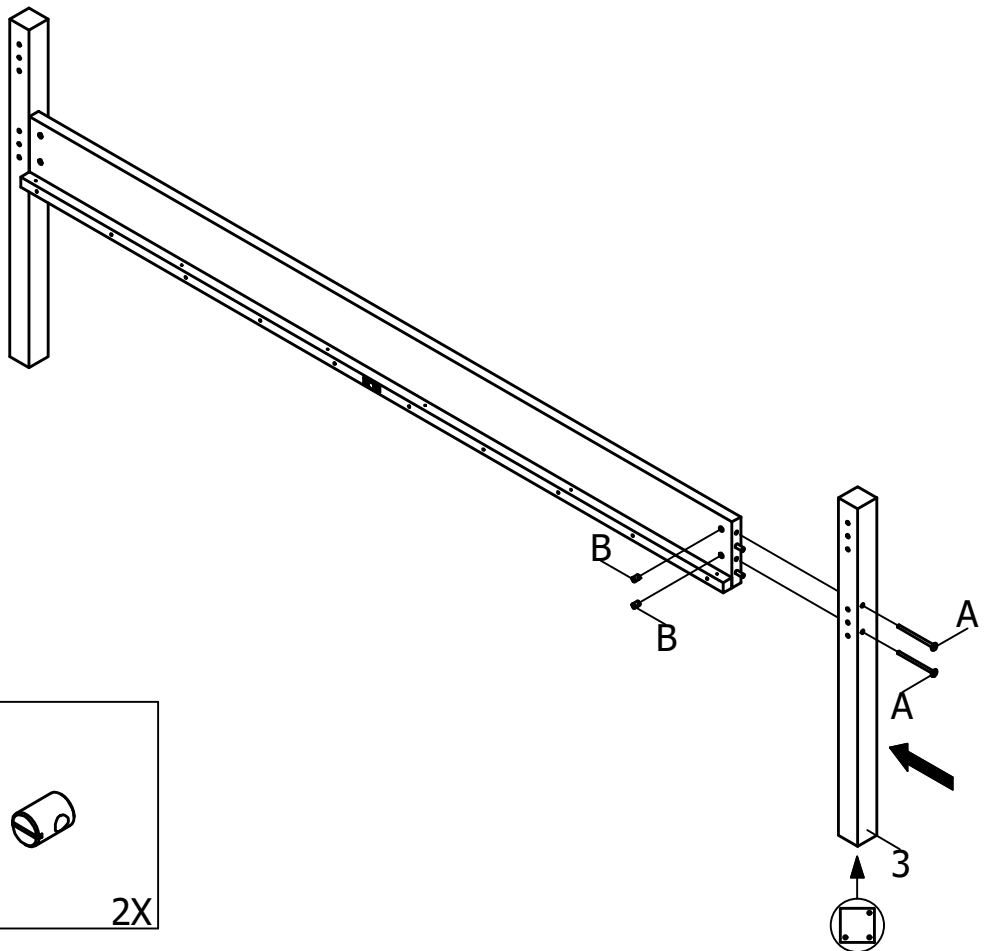
3



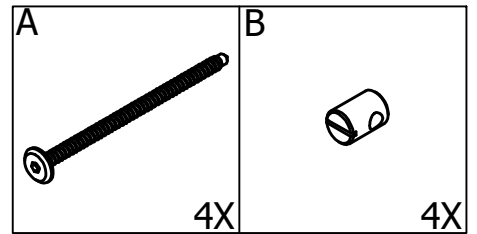
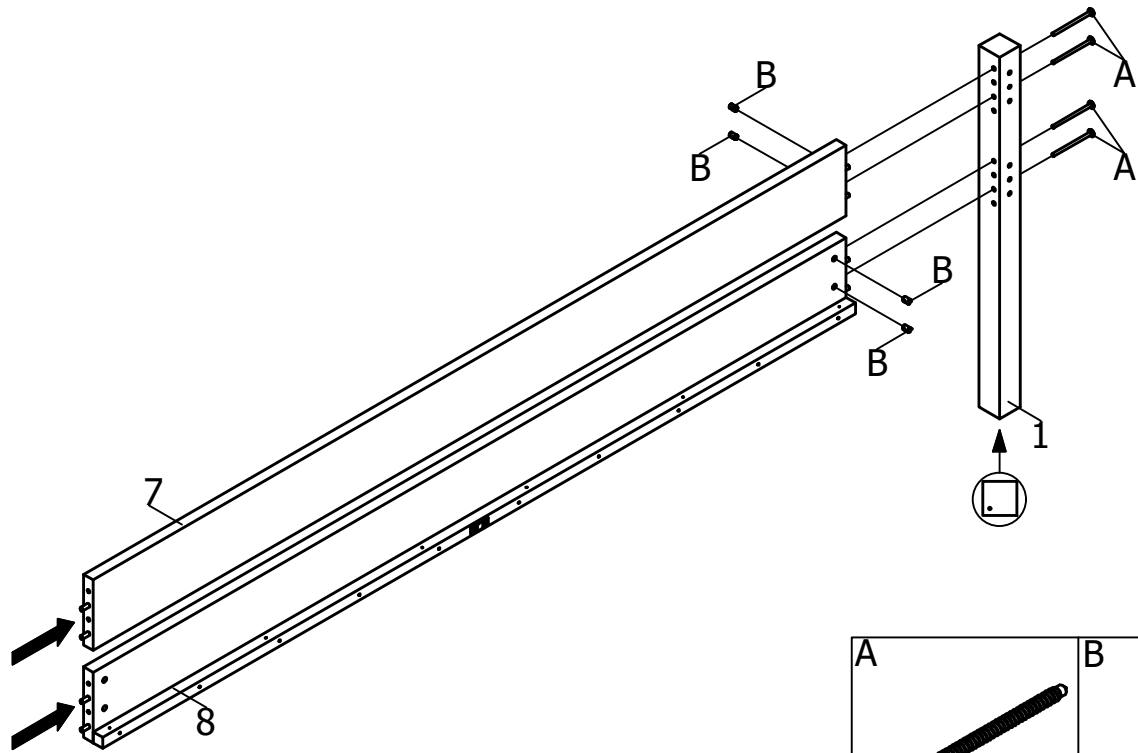
4



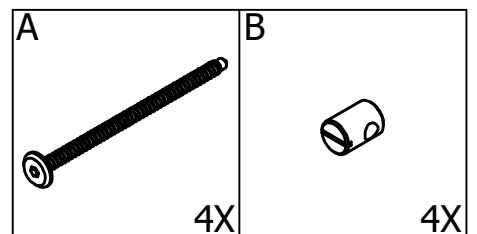
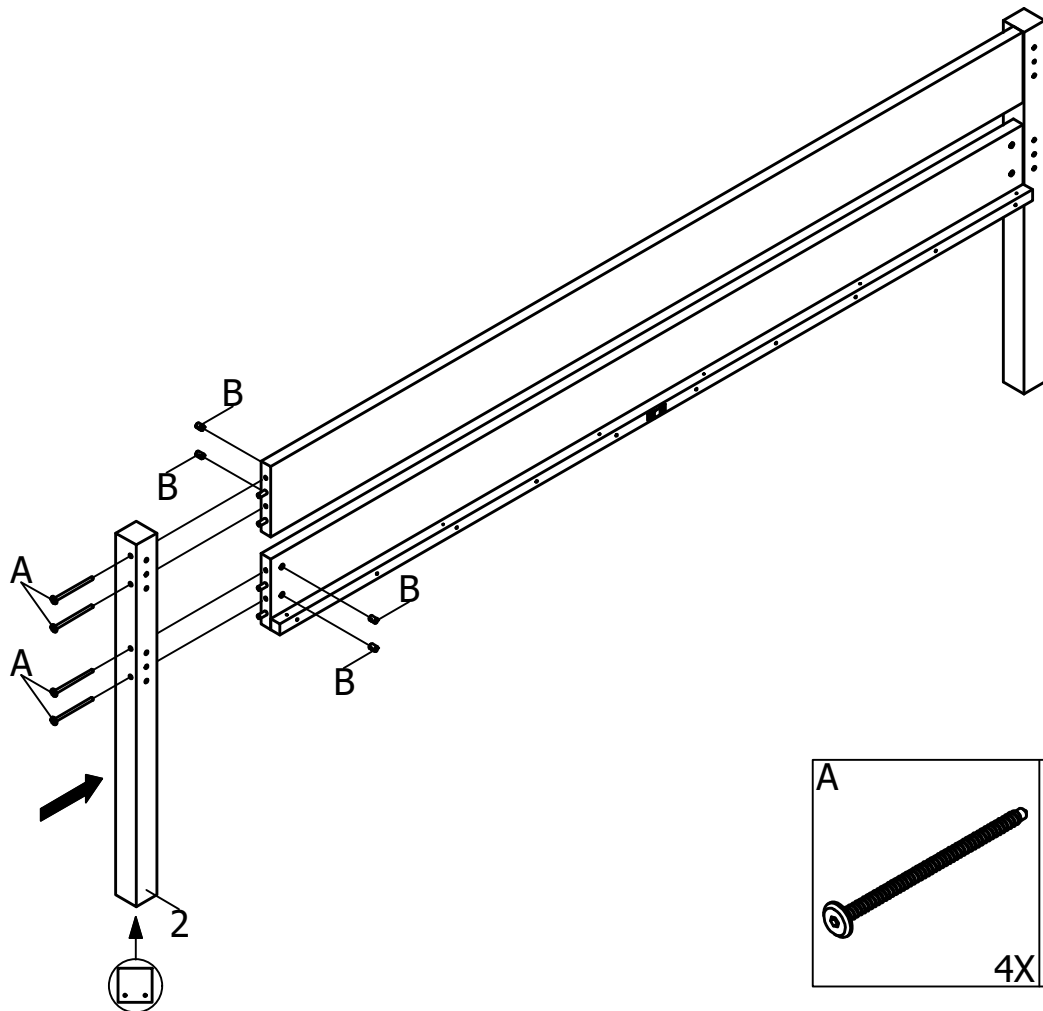
5



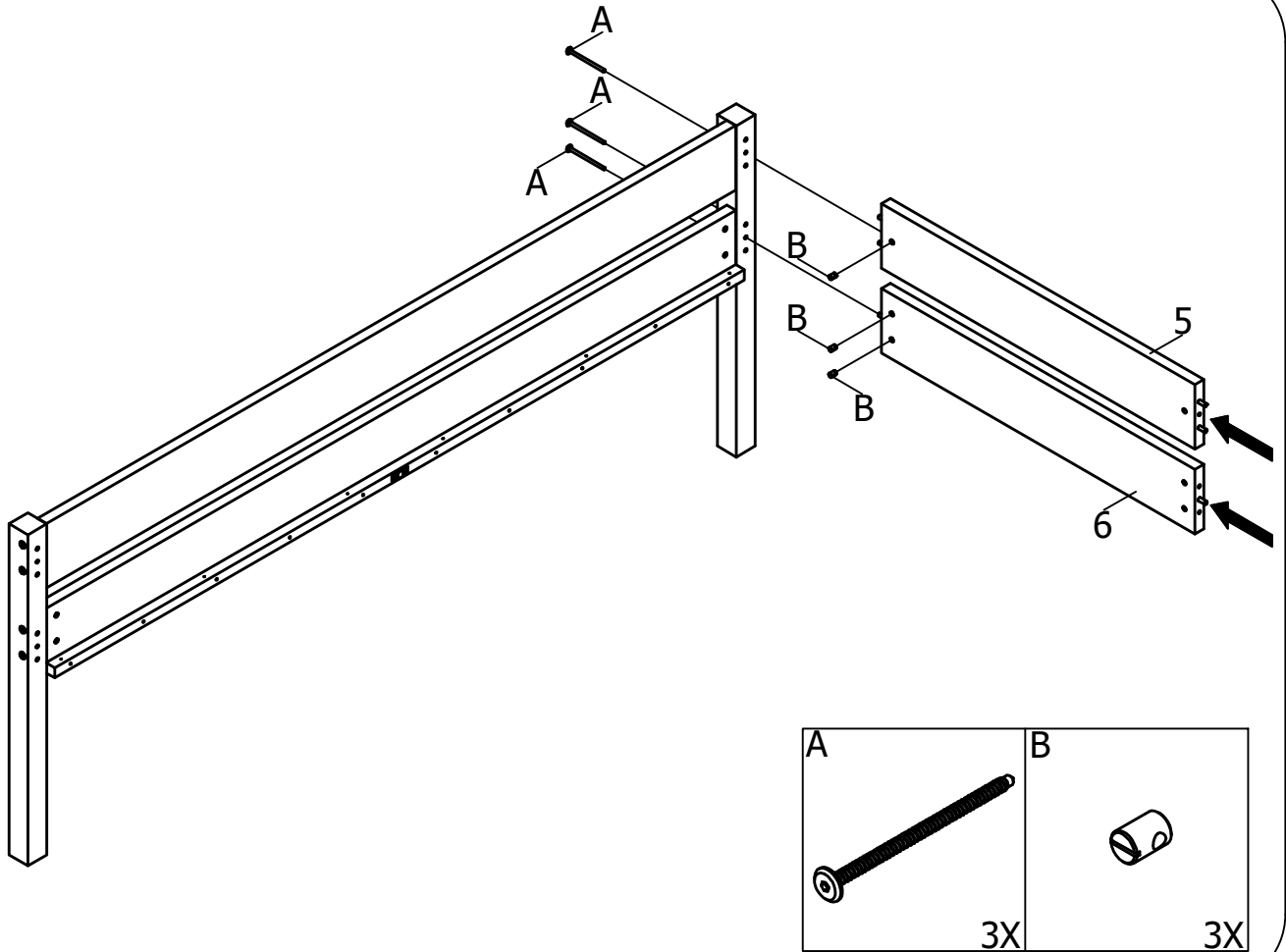
6



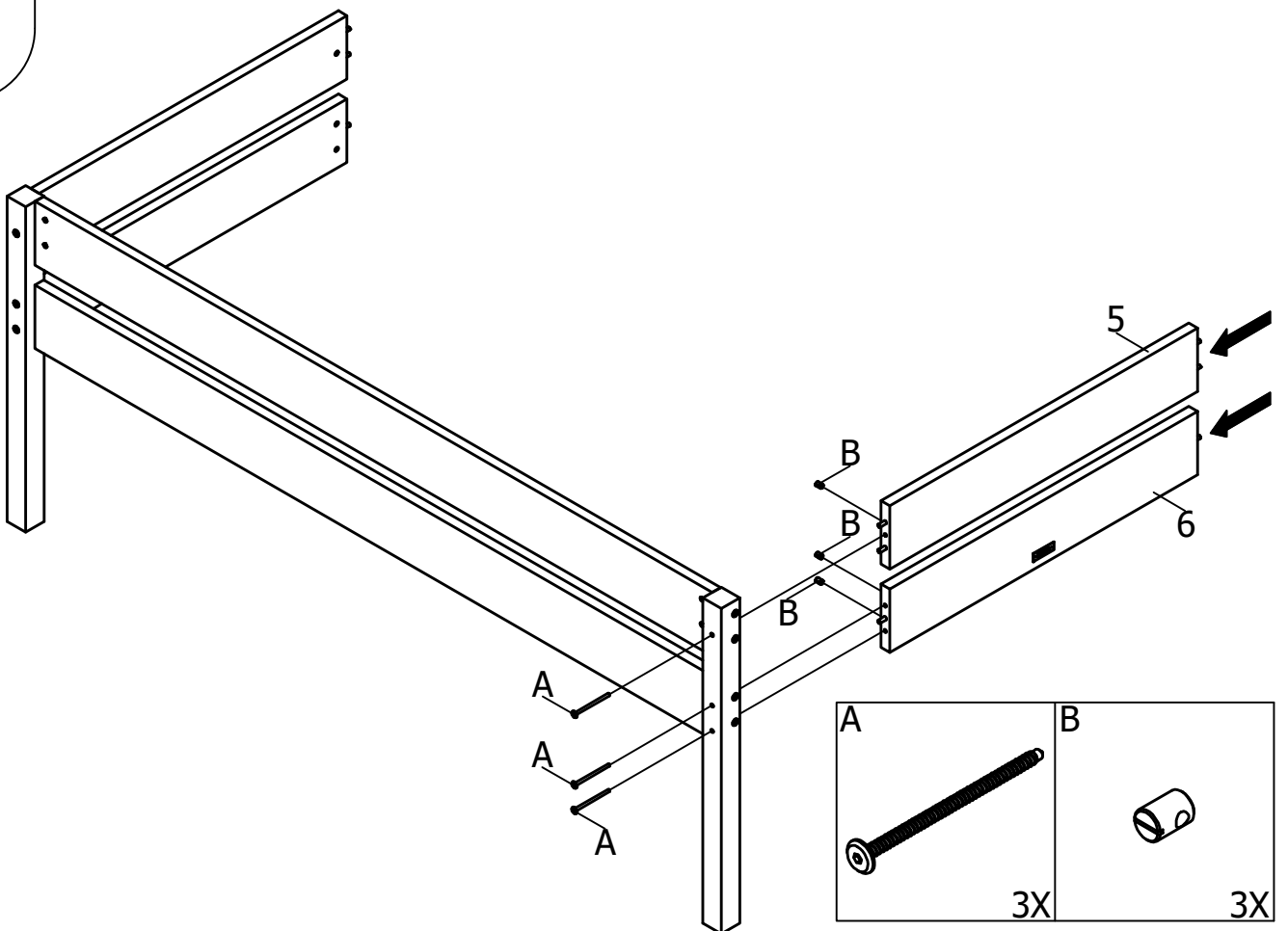
7



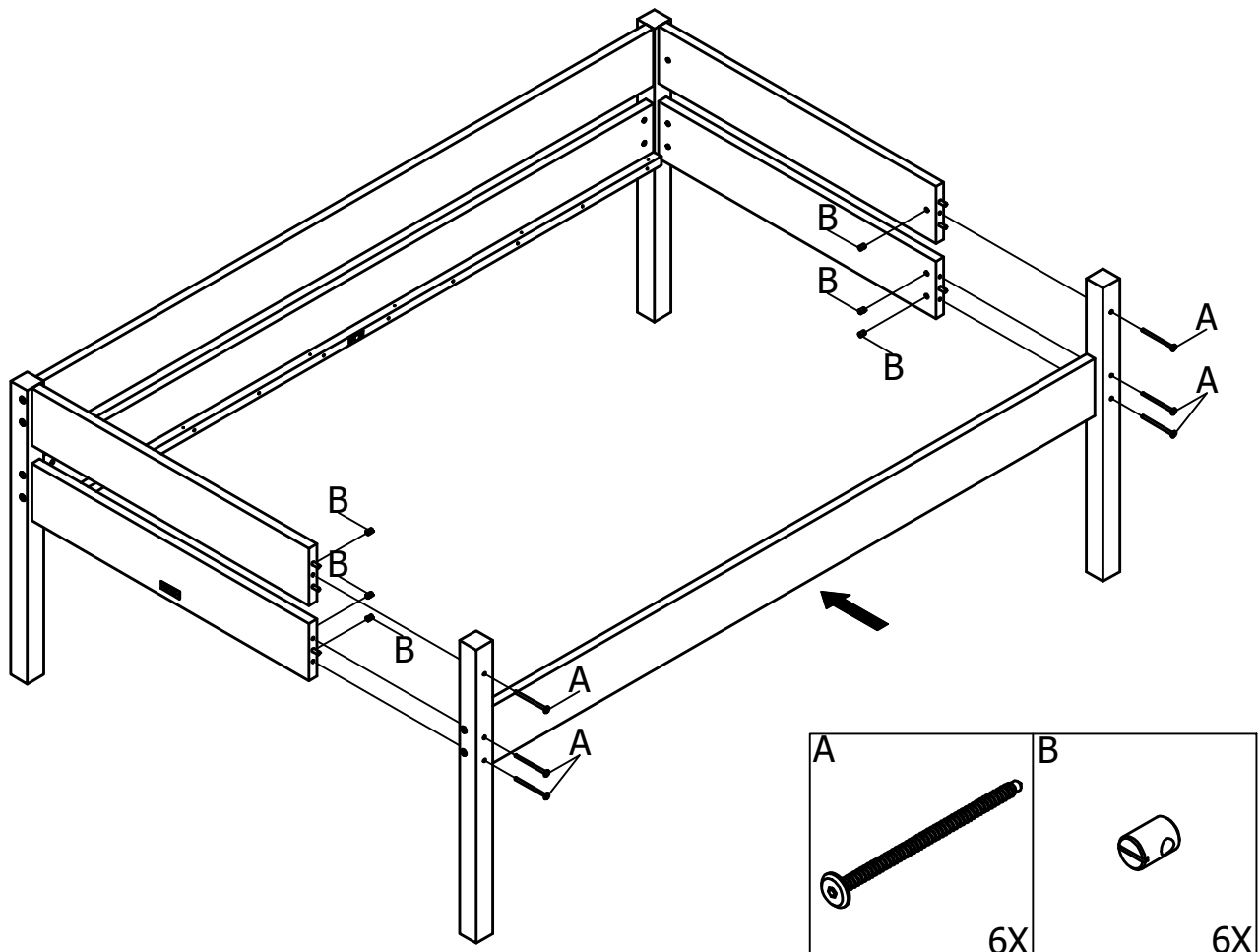
8



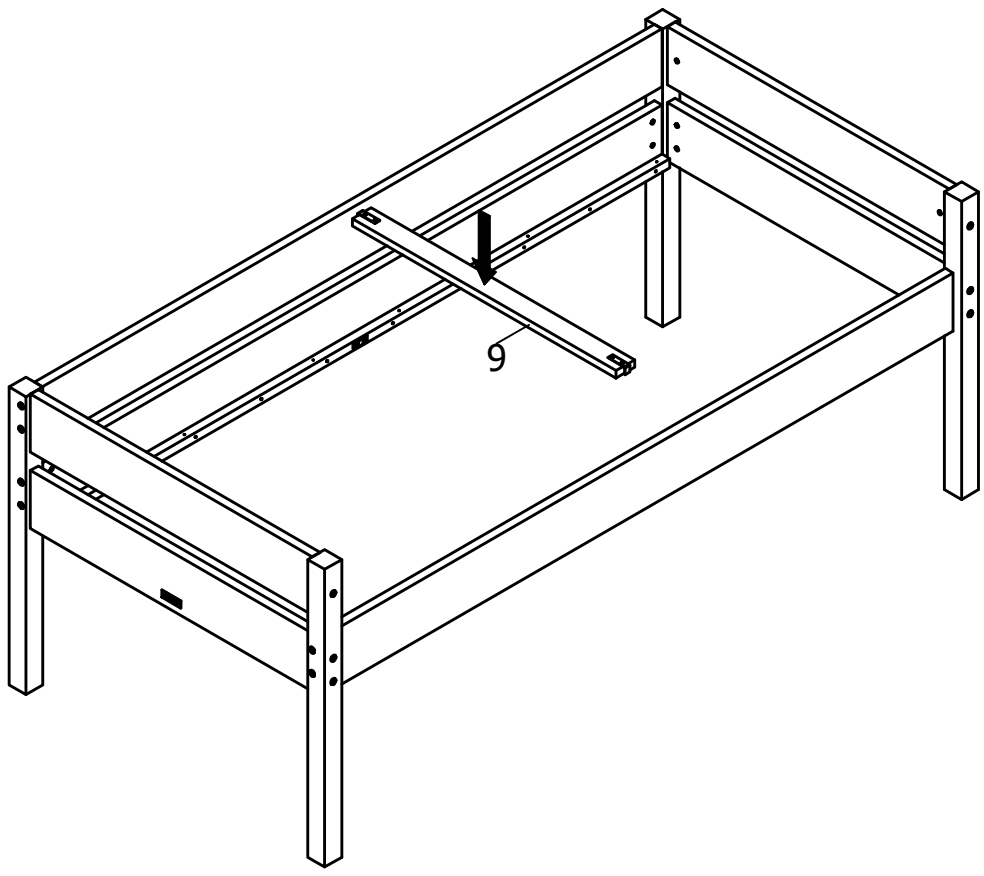
9



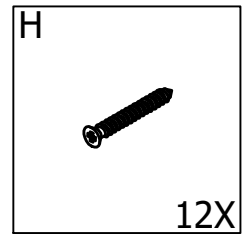
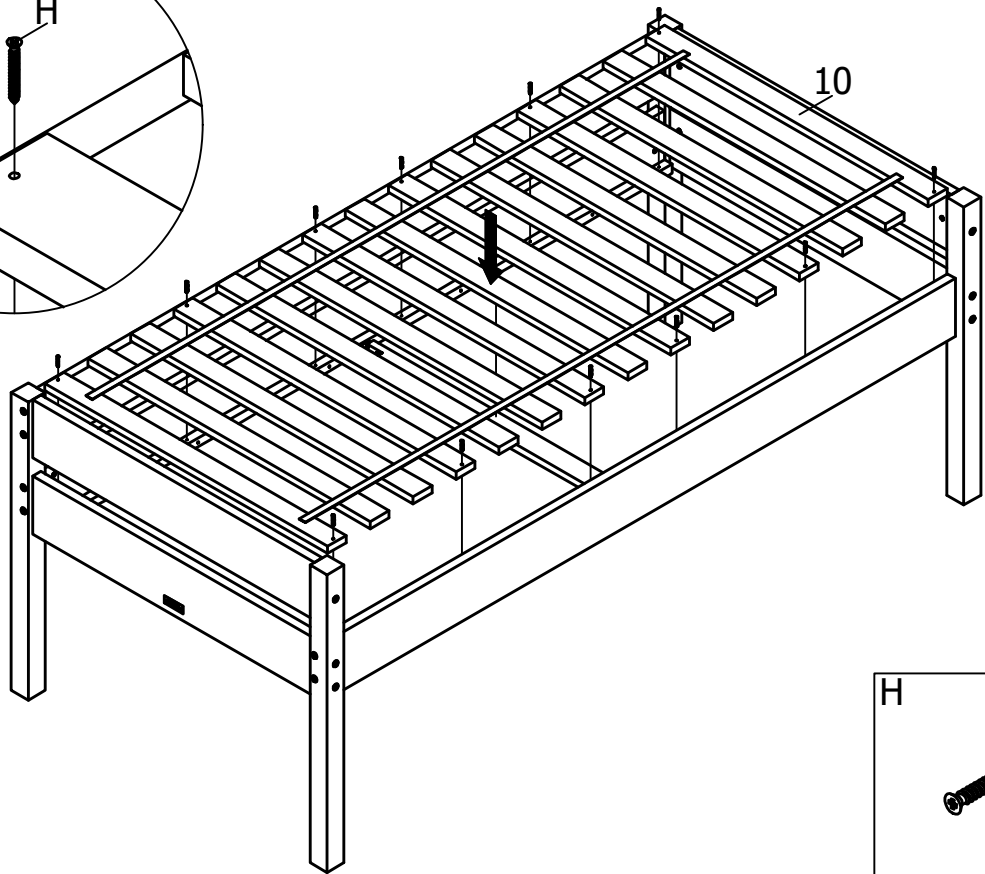
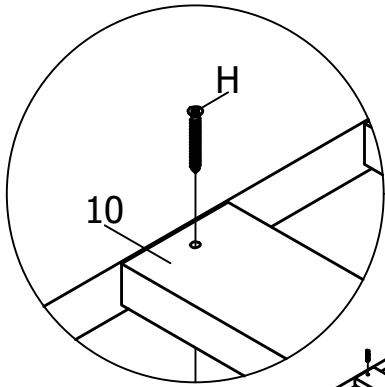
10



11



12



LUCAS

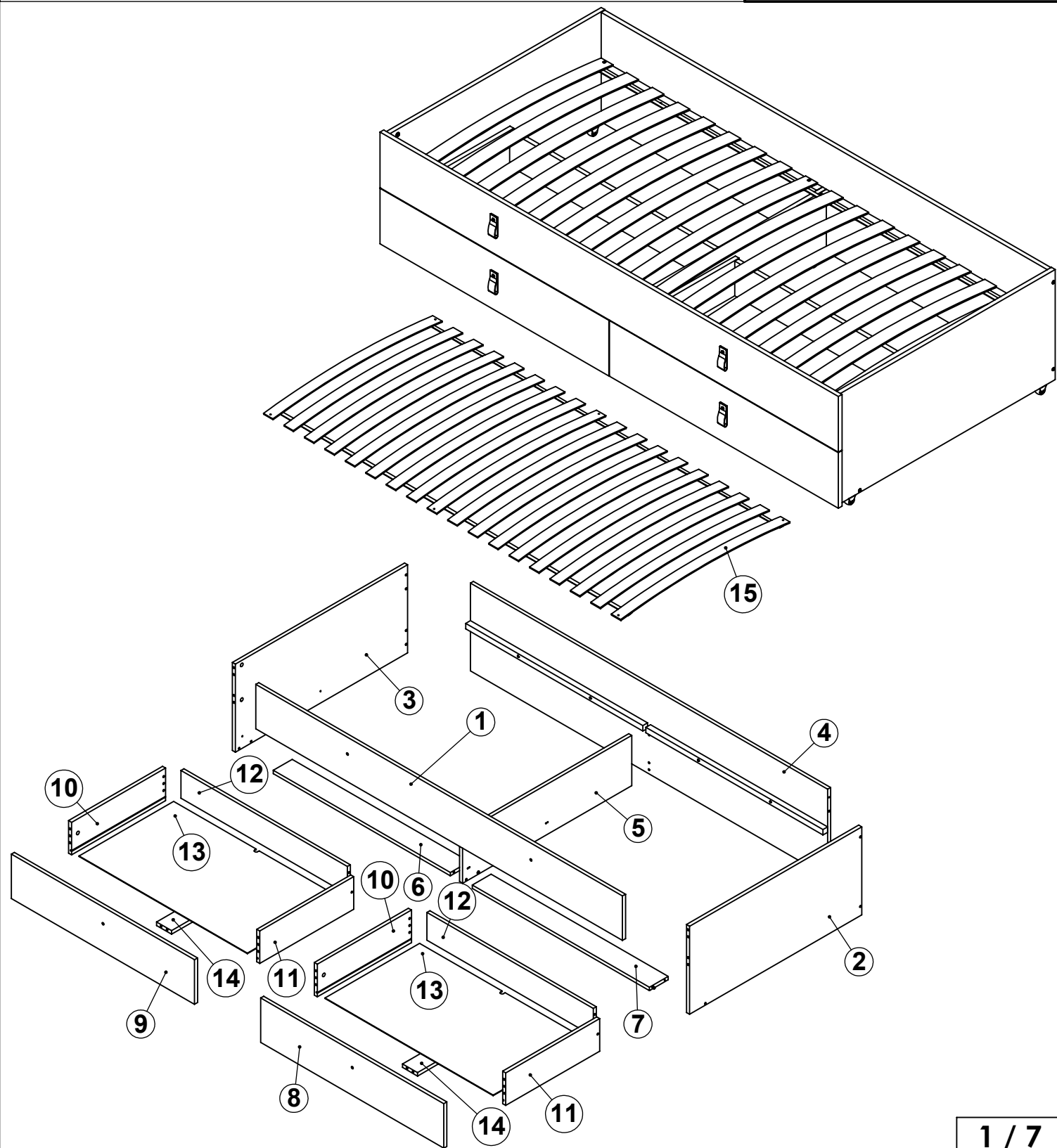
001 / 20/07/2023


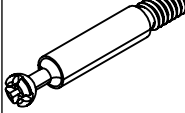
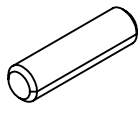
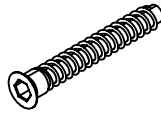

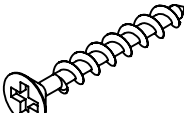
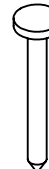
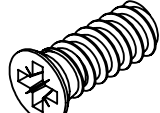
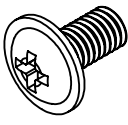
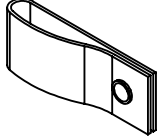
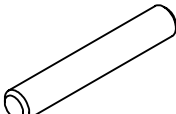
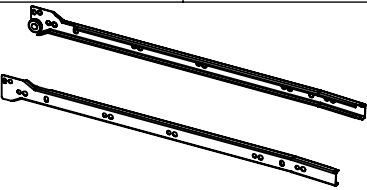
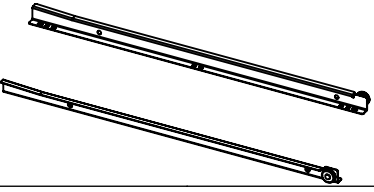
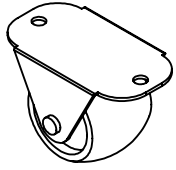
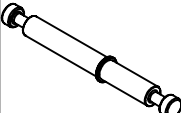

SLEEP and STORAGE UNIT COMPACTBED

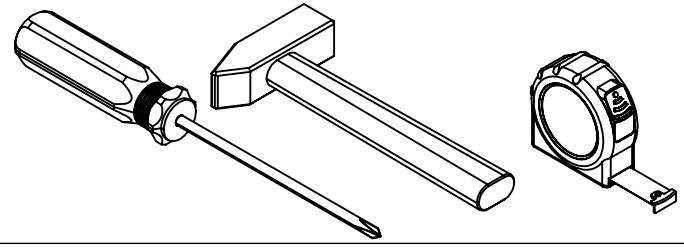
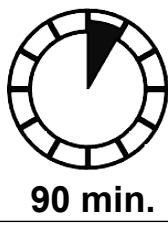
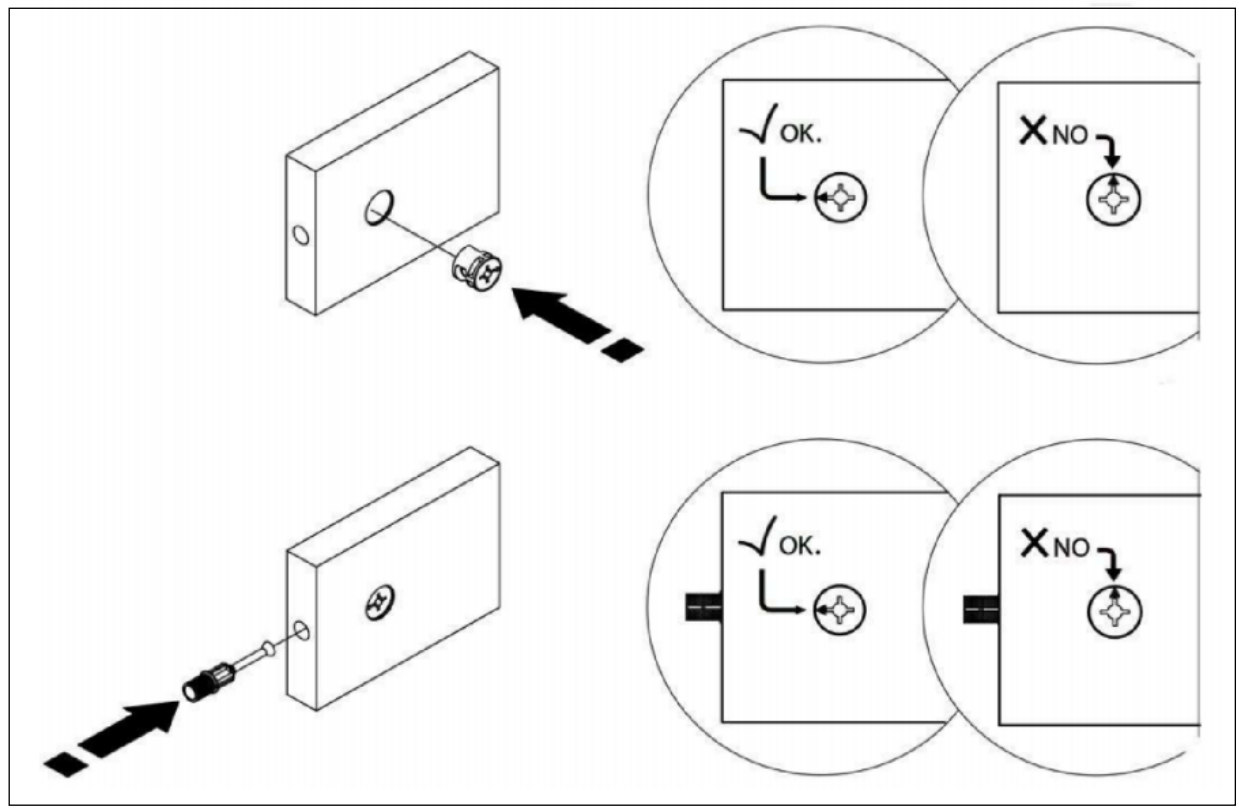
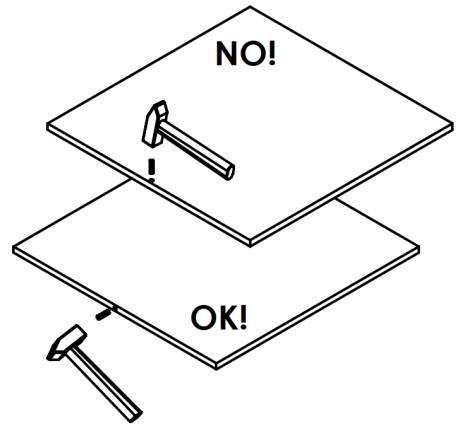
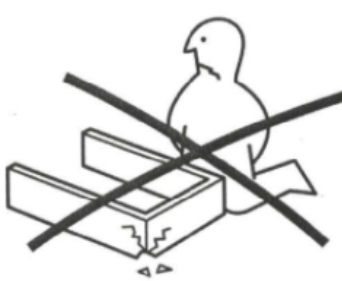
ART CODE: 414232 01

bopita®

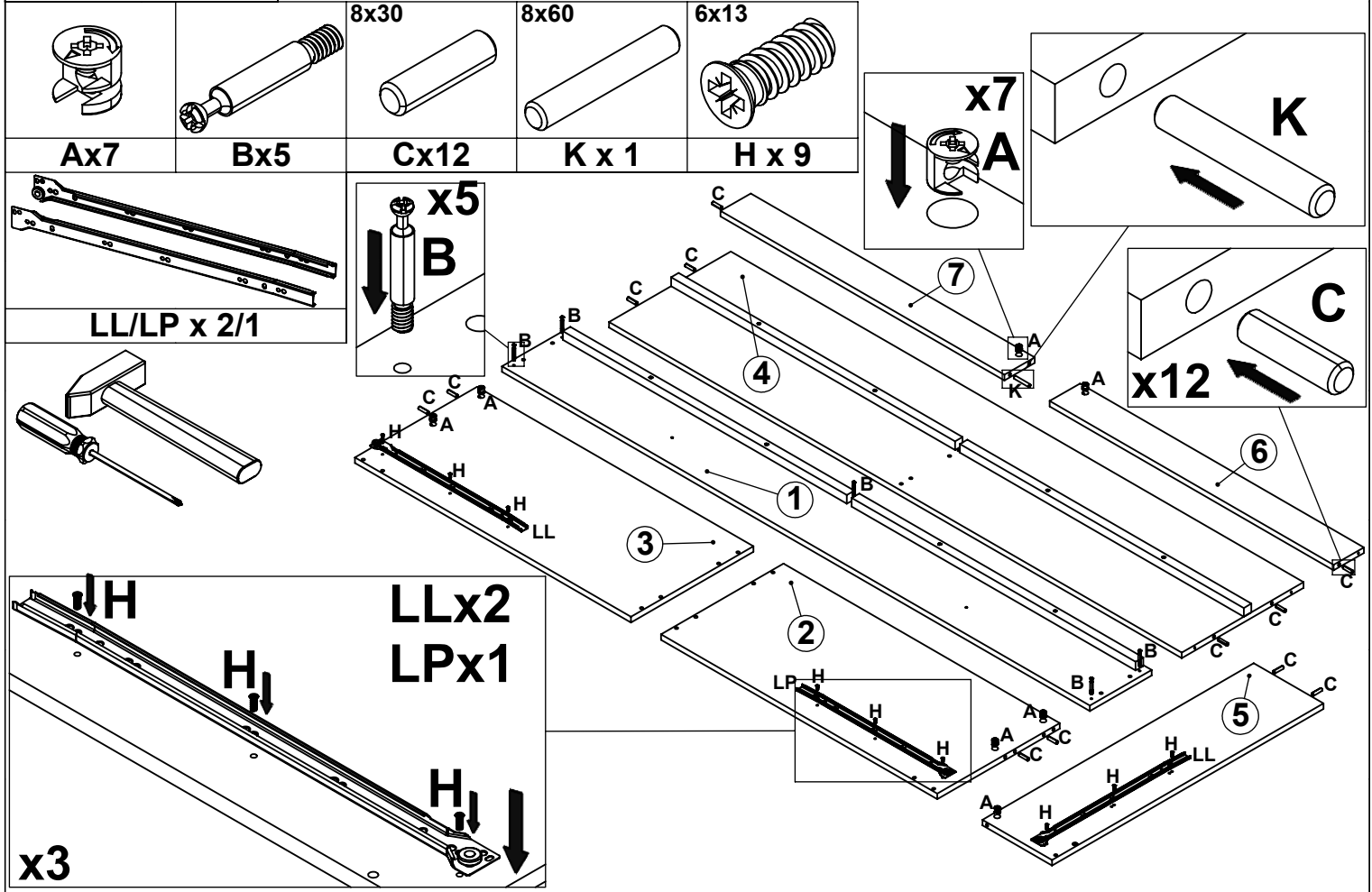
"BOPITA"
LION INTERNATIONAL B.V.
ENERGIEWEG 1
6662 NS ELST GLD
NEDERLAND
www.bopita.com



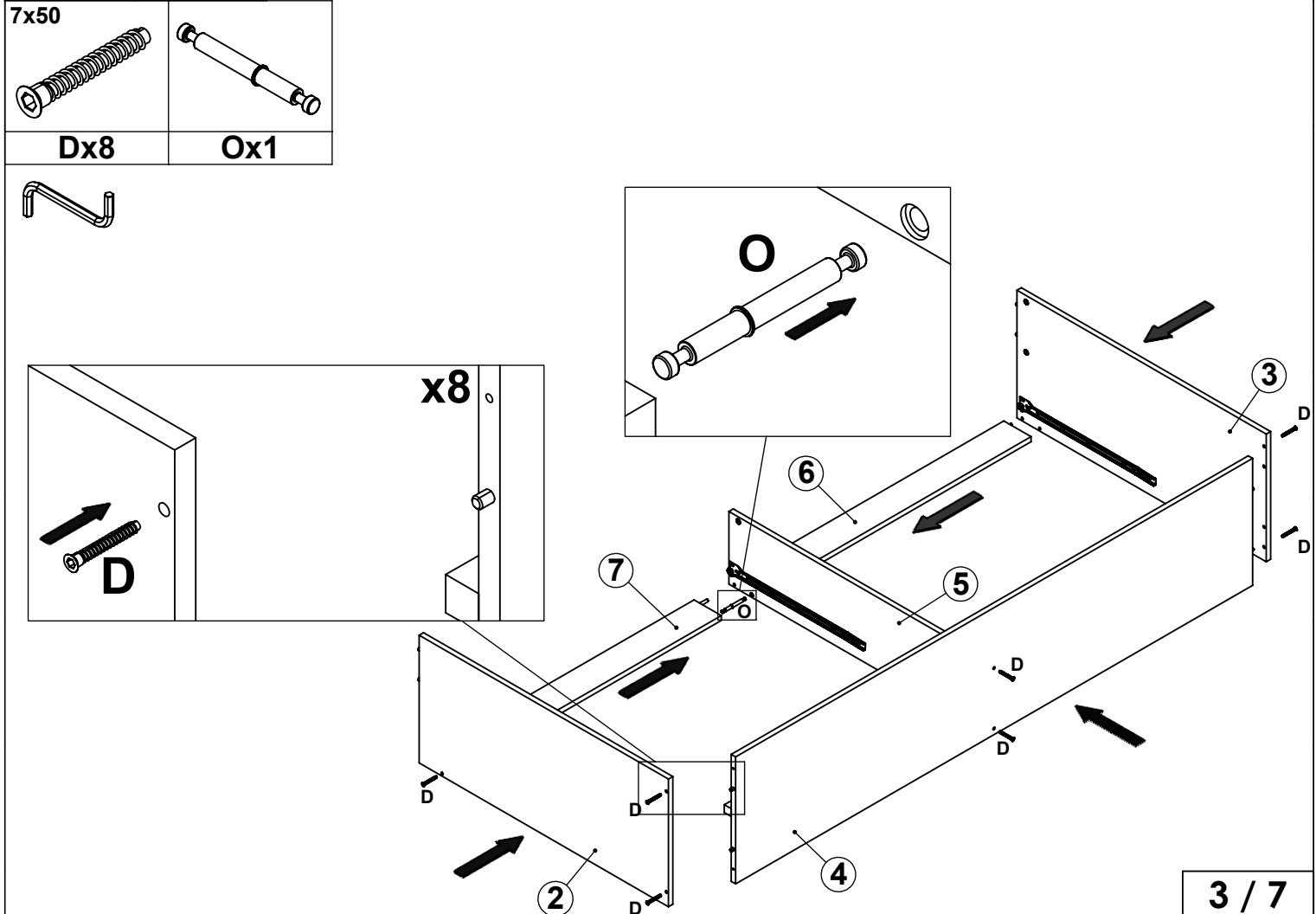
		8x30 	7x50 	3,5x13 	4x30 		6x13 
A x 13	B x 11	C x 12	D x 14	E x 24	F x 6	G x 12	H x 12
4x12 		8x60 					
I x 4	J x 4	K x 1	LL/LP x 2/2		ML/MP x 2/2		N x 6
							
O x 1	IMBUS						



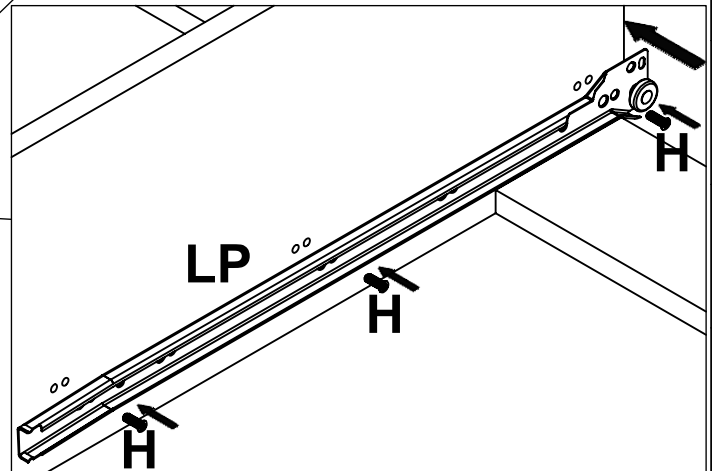
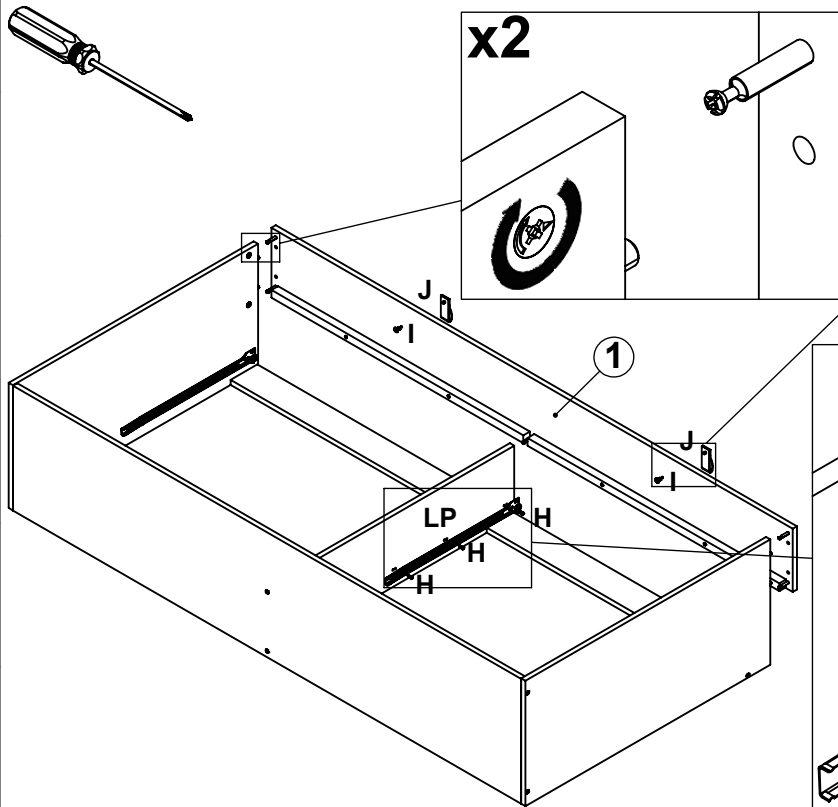
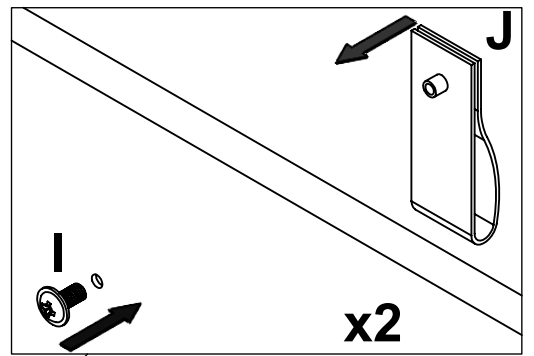
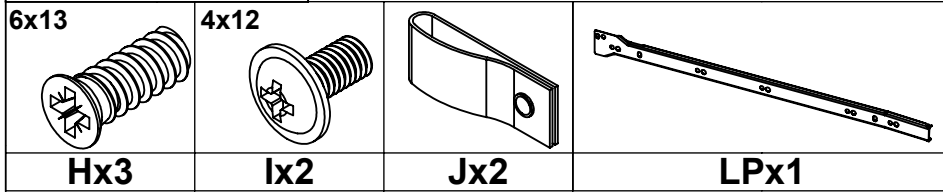
STEP - 1



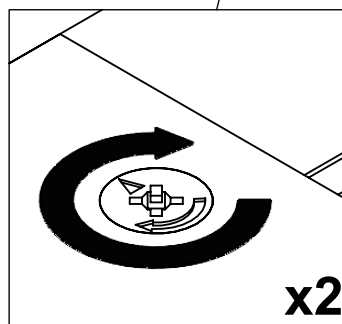
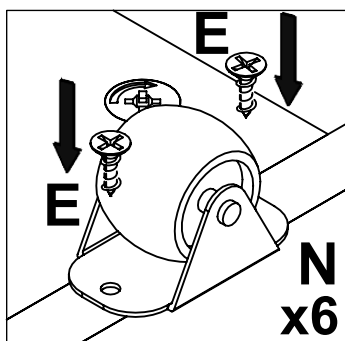
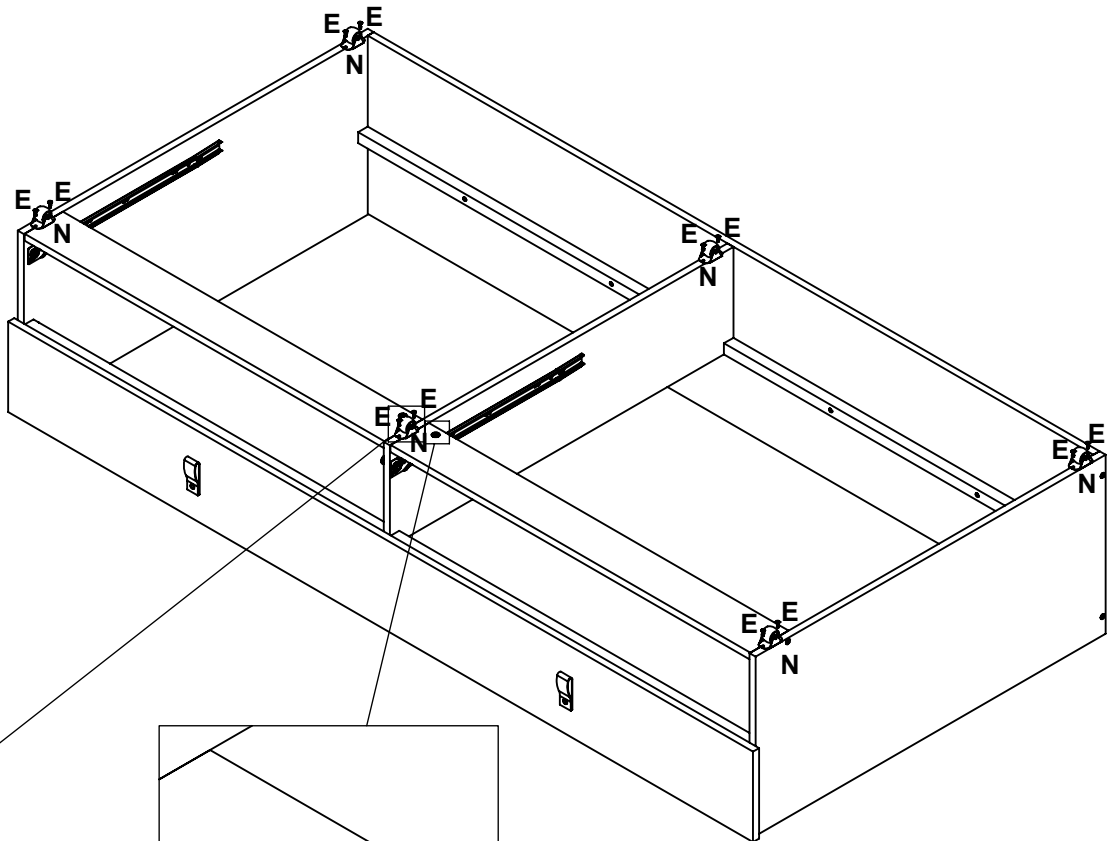
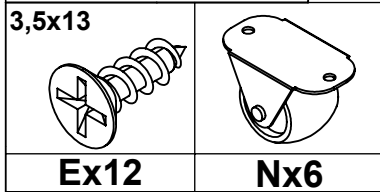
STEP - 2



STEP - 3



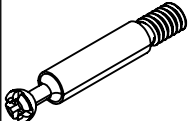
STEP - 4



STEP - 5

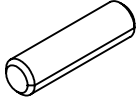


Ax6

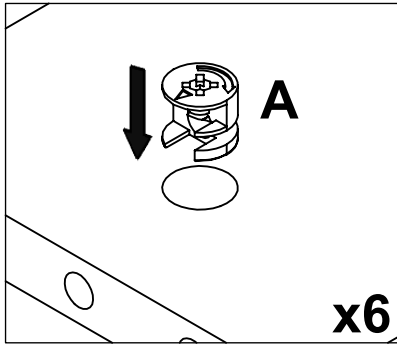
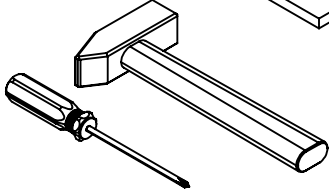


Bx6

8x30



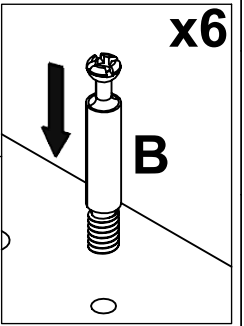
Cx18



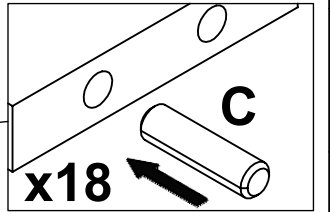
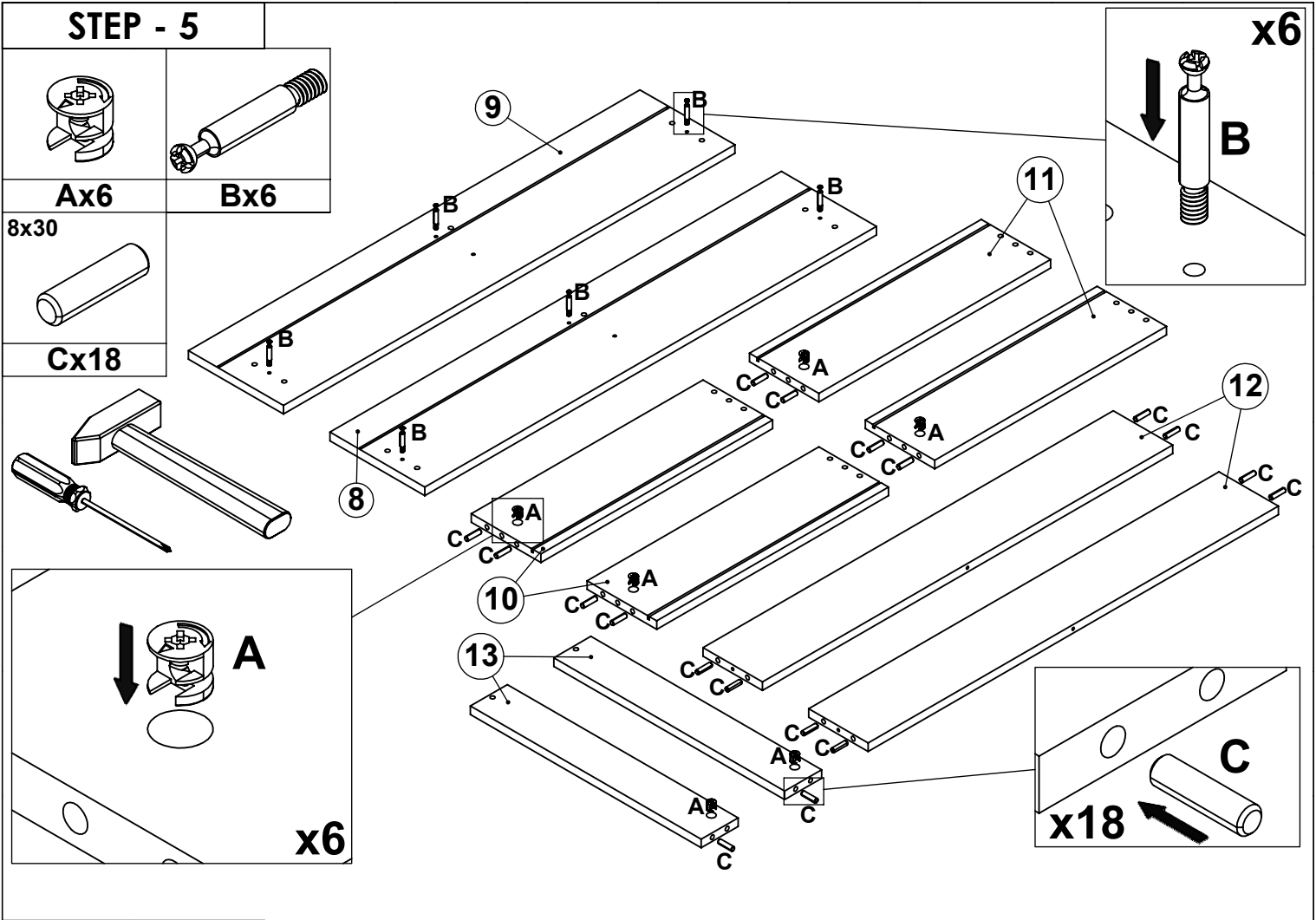
A

x6

x6



B

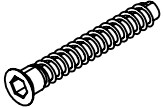


x18

C

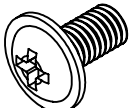
STEP - 6

7x50

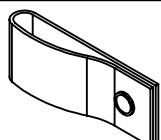


Dx4

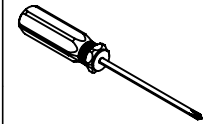
4x12



Ix2



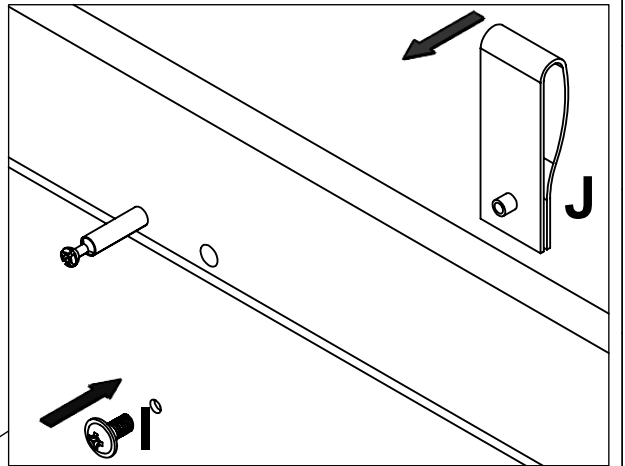
Jx2



x2

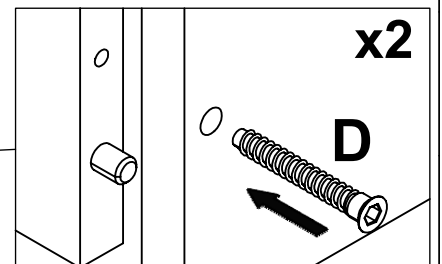


Ix2



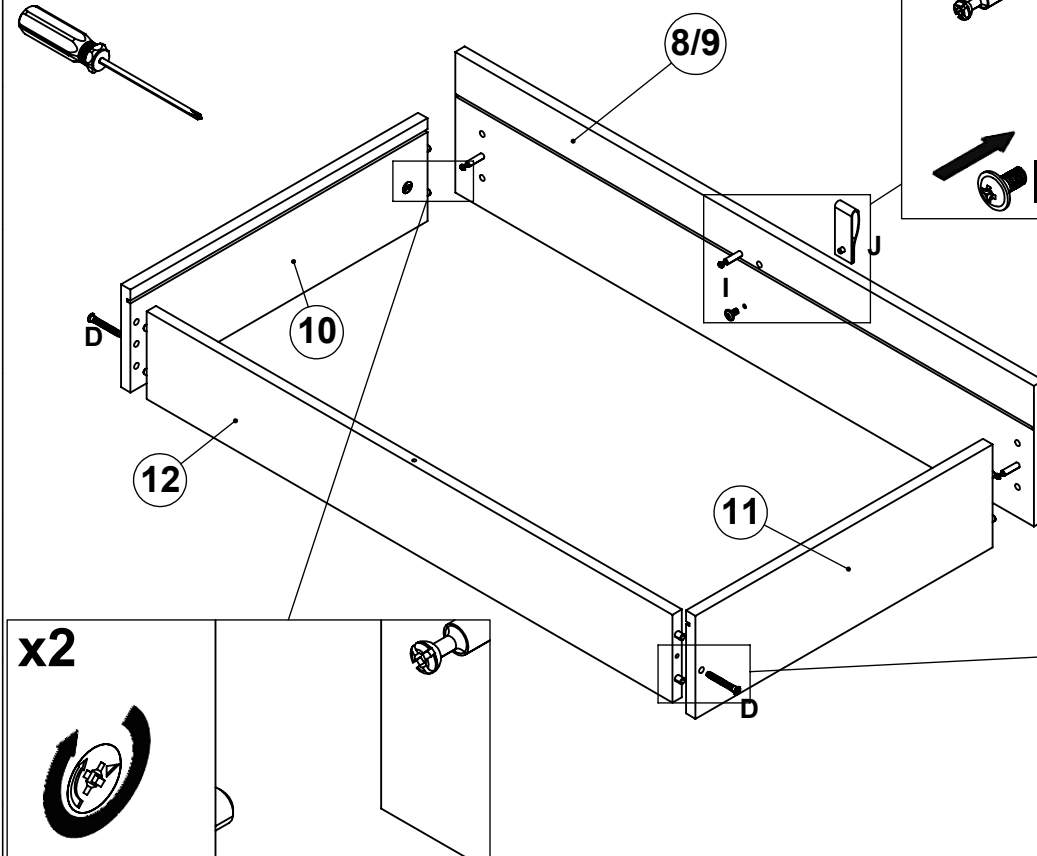
J

x2

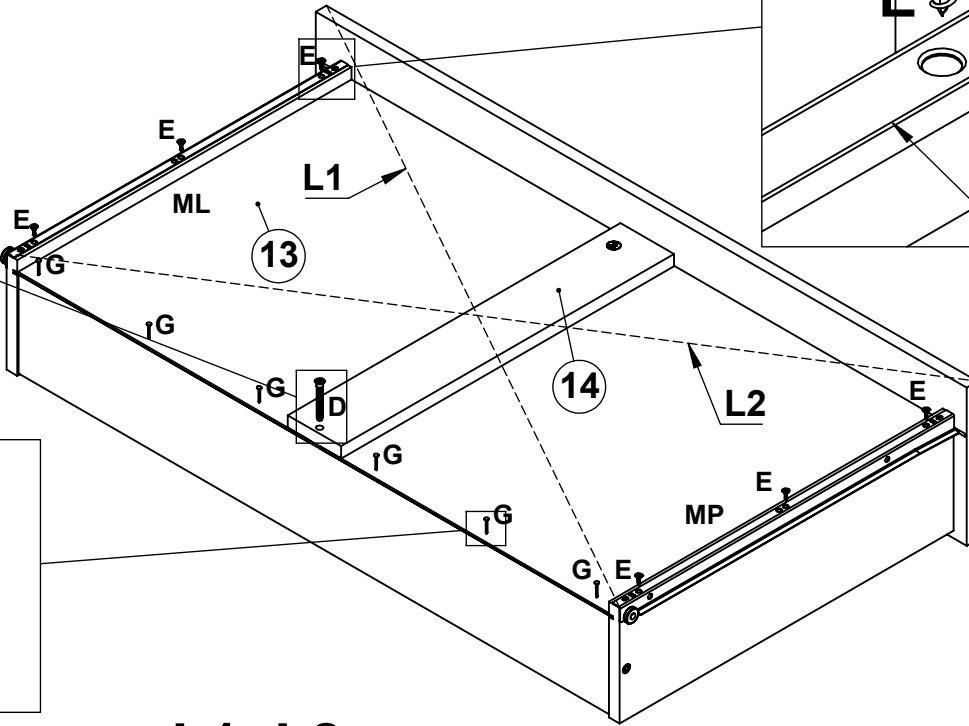
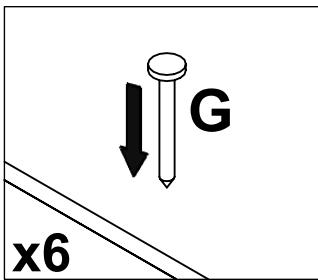
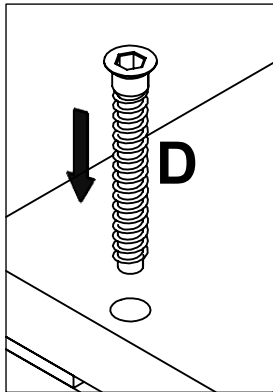
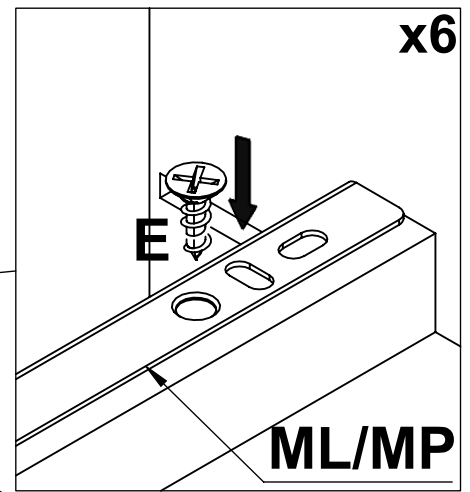
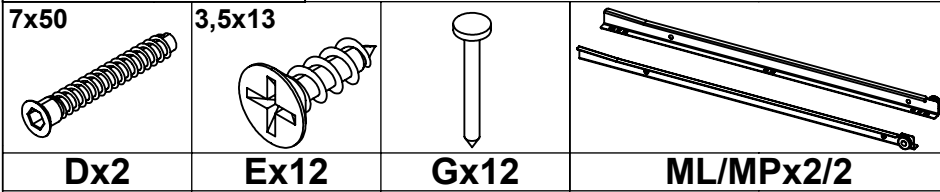


x2

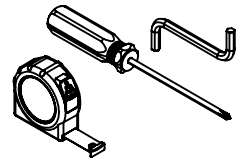
D



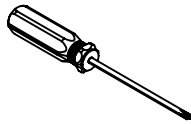
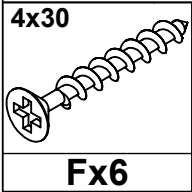
STEP - 7



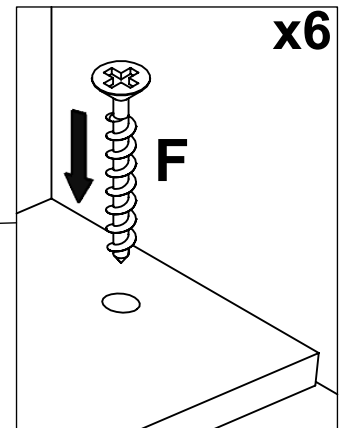
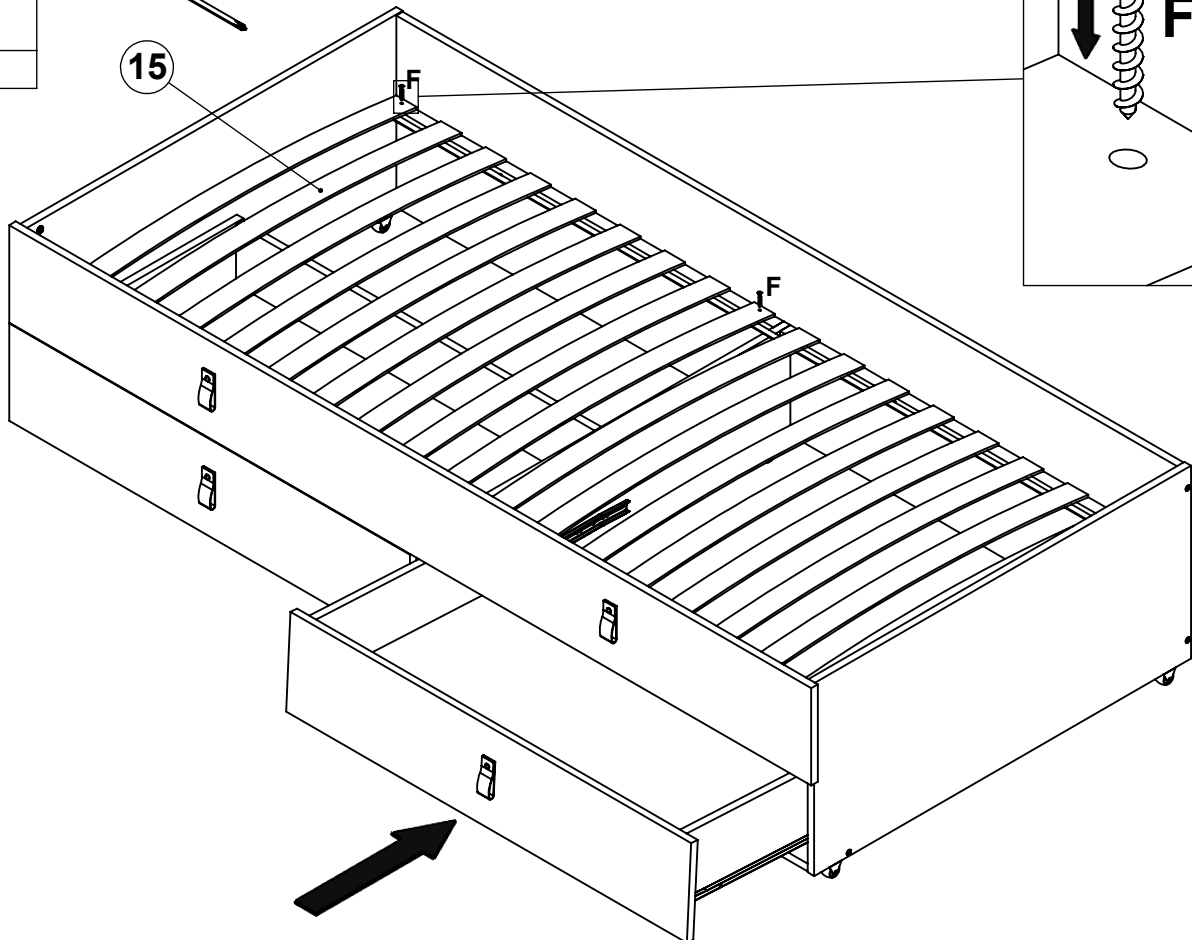
x2



STEP - 8



15



QC-CODE

(UK) for service requests

(NL) voor service vragen

(FR) pour les demandes de service

(DE) für Service Anfragen

(ES) para consultas de servicio

(IT) per richieste di assistenza

